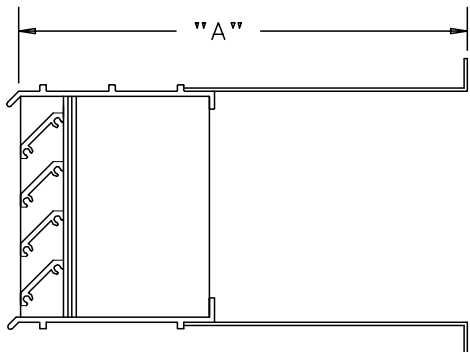


ARROW EXTRUDED ALUMINUM BRICK VENTS

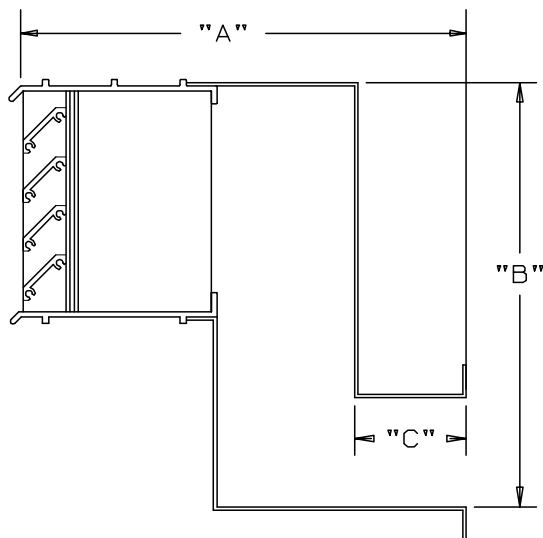
ARROW EXTRUDED ALUMINUM BRICK VENTS

- USE IN PLACE OF LOW LOUVERS FOR EXTRA FREE AREA VENTILATION.
- 4" DEEP FRAME, 45° BLADES. FRAME AND BLADES .125" THICK.
- DESIGNED FOR MAXIMUM PROTECTION AGAINST WATER ENTERING BUILDING.
- AVAILABLE IN PRACTICALLY ANY WIDTH OR HEIGHT. MANY STOCK SIZES FOR IMMEDIATE SHIPMENT.
- CLEAR ANODIZED FINISH IS STANDARD. DURONODIC, OTHER FINISHES AVAILABLE.



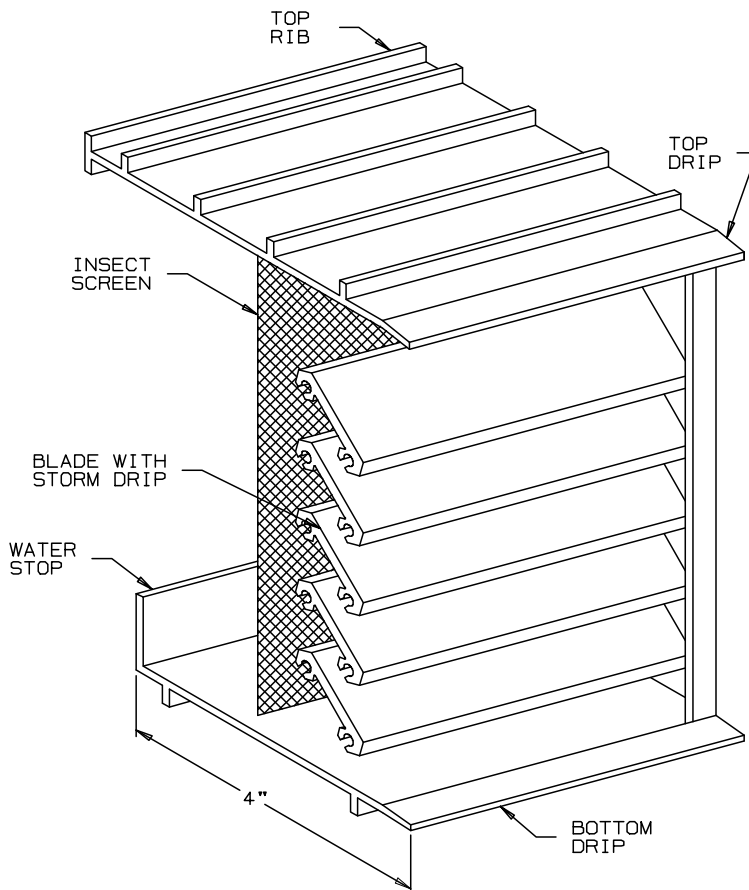
STRAIGHT DUCTS

FASTENED SECURELY TO VENT 24 GA. GALVANIZED STEEL STANDARD. SPECIFY WALL THICKNESS ("A" DIMENSION).



"Z" DUCTS

FASTENED SECURELY TO VENT 24 GA. GALVANIZED STEEL STANDARD. USE WHEN SPACE TO BE VENTED IS BELOW GRADE. PROVIDE DIMENSIONS "A", "B", & "C".



STOCK SIZES AVAILABLE		MINIMUM OPENING SIZE	FREE AREA (SQ. IN.)
NO.	SIZE		
125	12" x 2 3/8"	12 1/4" x 2 7/8"	9.07
127	12" x 4 3/4"	12 1/4" x 5 1/4"	16.56
133	8 1/8" x 2 3/8"	8 3/8" x 2 7/8"	5.47
135	8 1/8" x 4 3/4"	8 3/8" x 5 1/4"	9.93
140	8 1/8" x 7 3/4"	8 3/8" x 8 1/4"	20.89
170	16 1/2" x 2 3/8"	16 3/4" x 2 7/8"	13.10
172	16 1/2" x 4 3/4"	16 3/4" x 5 1/4"	24.04
174	16 1/2" x 7 3/4"	16 3/4" x 8 1/4"	45.79
245	24" x 4 3/4"	24 1/4" x 5 1/4"	36.43
247	24" x 7 3/4"	24 1/4" x 8 1/4"	69.55



UNION MADE

ARROW UNITED INDUSTRIES
A DIVISION OF MESTEK, INC.
450 RIVERSIDE DRIVE
WYALUSING, PA 18853
TEL: (570) 746-1888 FAX: (570) 746-9286
WEB ADDRESS: WWW.ARROWUNITED.COM

AGENT: _____

ARCH./ENG. :

CONTR. :

PROJECT :

EDR: _____ ECN: _____ JOB: _____

DATE: _____ DWN. : _____ DWG. : _____