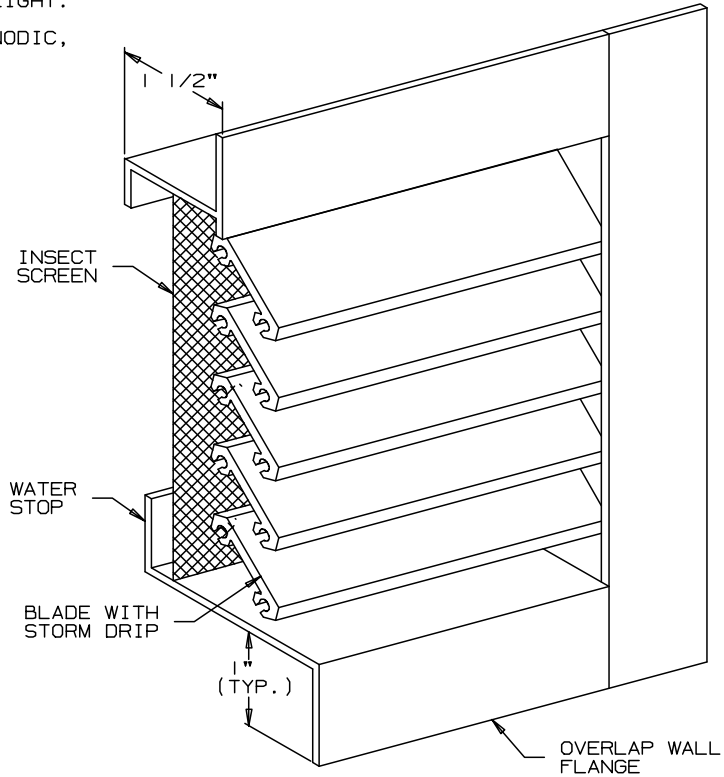
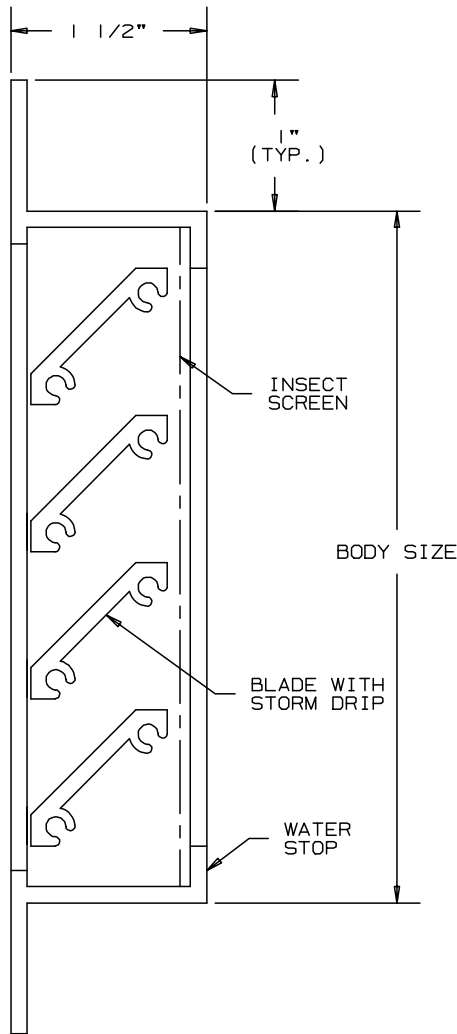


ARROW

EXTRUDED ALUMINUM FLANGE FRAME BRICK VENTS

ARROW EXTRUDED ALUMINUM FLANGED BRICK VENTS

- USE IN PLACE OF LOW LOUVERS FOR EXTRA FREE AREA VENTILATION.
- 45° BLADES, FRAME AND BLADES .125" THICK.
- AVAILABLE IN PRACTICALLY ANY WIDTH OR HEIGHT. MANY STOCK SIZES FOR IMMEDIATE SHIPMENT.
- CLEAR ANODIZED FINISH IS STANDARD. DURONODIC, OTHER FINISHES AVAILABLE.



STOCK SIZES AVAILABLE		MINIMUM OPENING SIZE	FREE AREA (SQ. IN.)
NO.	BODY SIZE		
151	8 1/8" x 2 3/8"	8 1/2" x 2 5/8"	4.48
152	8 1/8" x 4 3/4"	8 1/2" x 5"	7.01
153	8 1/8" x 7 3/4"	8 1/2" x 8"	15.88
154	16 1/2" x 2 7/8"	17" x 2 5/8"	10.33
155	16 1/2" x 4 3/4"	17" x 5"	16.18
156	16 1/2" x 7 3/4"	17" x 8"	36.64
157	12" x 2 3/8"	12 1/2" x 2 5/8"	7.23
158	12" x 4 3/4"	12 1/2" x 5"	11.32
159	24" x 4 3/4"	24 1/2" x 5"	24.16
162	24" x 7 3/4"	24 1/2" x 8"	54.96



ARROW UNITED INDUSTRIES
A DIVISION OF MESTEK, INC.
450 RIVERSIDE DRIVE
WYALUSING, PA 18853
TEL: (570) 746-1888 FAX: (570) 746-9286
WEB ADDRESS: WWW.ARROWUNITED.COM

AGENT: _____

ARCH./ENG. :		
CONTR. :		
PROJECT :		
EDR :	ECN :	JOB :
DATE :	DWN. :	DWG. :

