

## LOUVERS & VOLUME CONTROL DAMPERS

### ARROW UNITED EXTRUDED ALUMINUM LOUVERS

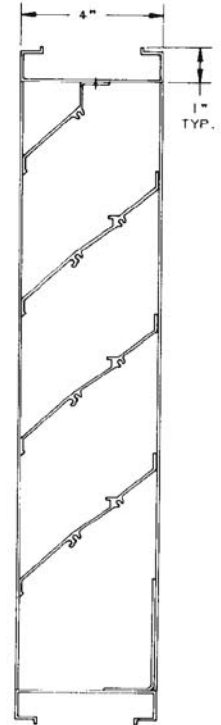
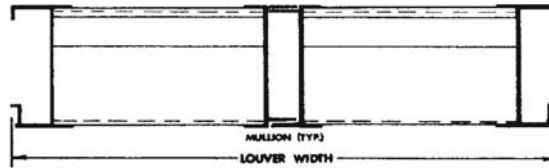
Model **EA-405** - 4" Deep, 450 Baffle Blade - Stationary - Standard Channel Type

Size	Price	Flange Kit* Price Each
12 x 12	\$69	\$18
18 x 18	105	26
24 x 12	94	26
24 x 24	134	35
30 x 16	148	35
36 x 24	164	43
36 x 36	255	53
48 x 48	389	70

\* Flange Kit to be Field Installed



SPECIFICATIONS	
<b>MATERIAL:</b>	Extruded aluminum, 6063-T52 alloy, available in .081" thick.
<b>FACE OF LOUVER:</b>	Full jam section, with blades, head and sill contained in jamb.
<b>SCREENS:</b>	Birdscreen - 1/2" flattened expanded aluminum .051".
<b>FINISH:</b>	Mill Aluminum

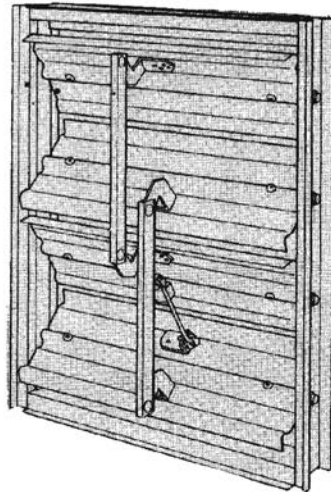


EA-405

### ARROW UNITED VOLUME CONTROL DAMPERS

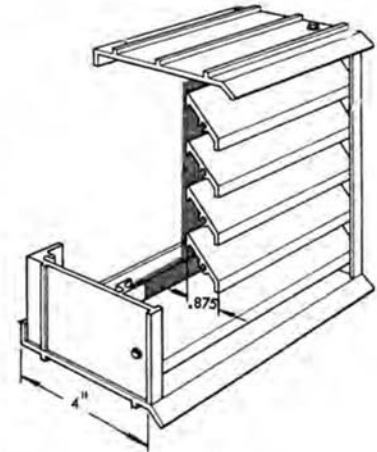
Model **I770** - Galvanized Steel Control Damper

Size	Blade Arrangement	Price Each
12 x 6	Single	\$58
12 x 12	Opposed	58
18 x 12	Opposed	68
18 x 18	Opposed	88
24 x 12	Opposed	68
24 x 18	Opposed	92
24 x 24	Opposed	112
30 x 24	Opposed	122
30 x 30	Opposed	152
36 x 24	Opposed	132
36 x 36	Opposed	198



### ARROW BRICK VENTS

Model **BV, BV FL**



### ACTUATORS

Model	Damper Size Range	Description	Price Each
235-115	12" x 06" - 24" x 12"	115 Volt Actuator*	\$84
ML-4105B	12" x 18" -36" x 36"	115 Volt Actuator*	270
Q-37	ALL	Locking Quadrant	8

Model	Size (opening)	Price Each
BV	15 7/8" x 06" - 7 3/4"	\$68
BV FL Flanged	16 1/2" x - 7 3/4"	74

#### Notes:

- 1) 115V actuators are 2-position, spring return
- 2) ML-4105B is CCW power open, normally closed with Arrow I770 Damper. Accepts 1/2 sq. or 1/2 rd. shaft.
- 3) 235-115 is N.O. or N.C. based on motor installation