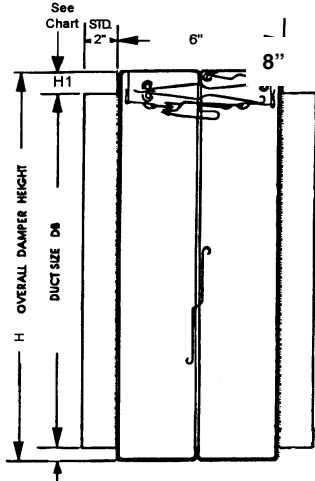
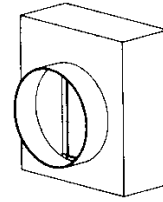


FIRE DAMPERS

PREFCO Model 5500E8 - CR - Integral Sleeved Round

- Low pressure, round inlet/outlet
- Vertical or horizontal application
- Install without additional sleeve per installation instruction sheet no. 5500-11-FS2
- Optional retaining angle kits and/or damper flats



Round Size "DB"	Height "H"	Width "W"	Fire Damper Price Each	Damper Flats Price Each Set	Retaining Angle Price Each Set
6	8-1/2	8	\$38	\$10	\$11
8	10-1/2	10	38	11	12
10	12-1/2	12	45	12	13
12	14-1/2	14	45	13	14
14	16-1/2	16	54	15	16
16	18-1/2	18	58	15	16
18	20-1/2	20	66	19	19

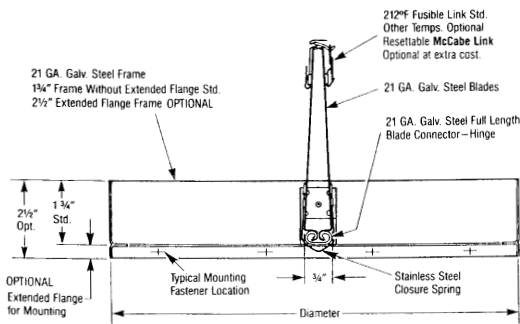
Notes:

- 1) "DB" undersized 1/8"
- 2) "H" and "W" undersized 1/4"
- 3) Damper flats and retaining angles are sold as a set.
- 4) Flats and retaining angles can be sold as a mix match set.

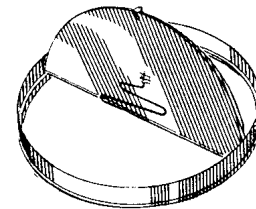
Damper Mount Notes:

- 1) See page 26 for single flange mounting option

PREFCO Model 5600F - Round Fire Damper



Size	Price Each
6	\$26
8	26
10	30
12	34
14	41
16	41



ADDITIONAL LINKS (Price Each)	
165°	\$3
212°	3