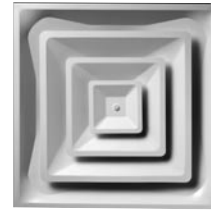


## STEEL LOUVERED DIFFUSERS

[CFM Range is only a guide. See Manufacturer Catalog for complete data. All NC Levels in Acceptable Range<32.]

### TUTTLE & BAILEY Model **I300** - Round Neck Steel, Lay-In Tee Bar Mounting

Neck Size	Panel Size	CFM Range	Price Each	Volume Damper Model RBN
*6	12 x 12	75-180	\$19	\$12
6	24 x 24	75-180	28	12
8	24 x 24	135-300	29	13
10	24 x 24	210-440	29	13
12	24 x 24	300-560	30	14
14	24 x 24	420-750	31	16

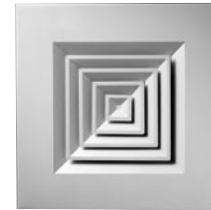


**FINISH:** White

\* Model # I300 - 12 x 12 - LT - 06RD

### TUTTLE & BAILEY Model **M-4SQ-LT** - Square Neck Steel, Removable Core, 24" x 24" Panel, Lay-In Tee Bar Mounting

Neck Size	CFM Range	Price Each	Volume Damper Model SMOBD
6 x 6	75-125	\$28	\$9
9 x 9	165-280	32	13
12 x 12	300-500	42	17
15 x 15	465-780	52	23
18 x 18	675-1125	62	29
21 x 21	900-1530	72	N/A



**FINISH:** White

### TUTTLE & BAILEY Model **M-4SQ-SB** - Square Neck Steel, Removable Core, Surface Mounting, 1" Bevel Drop Face

Neck Size	CFM Range	Price Each	Volume Damper Model SMOBD
6 x 6	75-125	\$19	\$9
9 x 9	165-280	23	13
12 x 12	300-500	33	17
15 x 15	465-780	43	23
18 x 18	675-1125	63	29



**FINISH:** White

L. R. GORRELL COMPANY

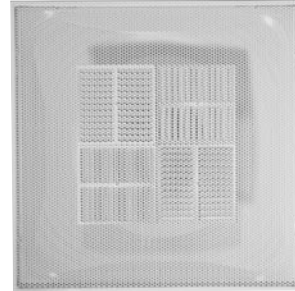
PRICES SUBJECT TO CHANGE WITHOUT NOTICE! Minimum Order is \$25.00

## STEEL PERFORATED SUPPLY DIFFUSERS

[CFM Range is only a guide. See Mfg. Catalog for complete data. All NC Levels in acceptable range <32.]

**TUTTLE & BAILEY** Model **PP-LT** - Round Neck, Lay-In Tee Bar Mounting with Adjustable Pattern Control on Perforated Panel.

Neck Size	Panel Size	CFM Range	Price Each	Volume Damper Model RBN
*6	12 x 12	40-130	\$20	\$12
6	24 x 24	40-130	23	12
8	24 x 24	105-210	23	13
10	24 x 24	165-330	24	13
12	24 x 24	235-500	24	14
14	24 x 24	320-700	25	16
16	24 x 24	420-840	26	N/A

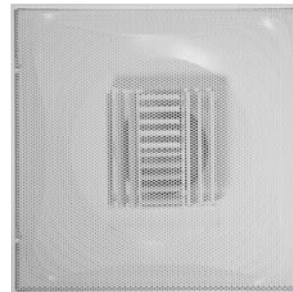


**FINISH:** White

\* Model #PP - 12 x 12 - LT - 06RD

**TUTTLE & BAILEY** Model **PV-LT** - Round Neck, Lay-In Tee Bar Mounting with Adjustable Pattern Control in Neck.

Neck Size	Panel Size	CFM Range	Price Each	Volume Damper Model RBN
*6	12 x 12	40-130	\$24	\$12
6	24 x 24	40-130	25	12
8	24 x 24	105-210	26	13
10	24 x 24	165-330	26	13
12	24 x 24	235-500	28	14
14	24 x 24	320-700	28	16
16	24 x 24	420-840	30	N/A



**FINISH:** White

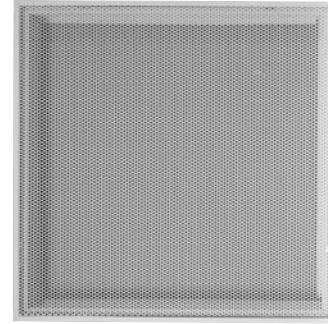
\* Model #PV - 12 x 12 - LT - 06RD

## STEEL PERFORATED CEILING RETURNS

[CFM Range is only a guide. See Manufacturer Catalog for complete data. All NC Levels in Acceptable Range<32.]

### TUTTLE & BAILEY Model PRS-LT - Square Neck, 24" x 24" Panel, Lay-In Tee Bar Mounting

Neck Size	CFM Range	Price Each
6 X 6	50-200	\$24
8 X 8	130-350	25
10 X 10	200-550	25
12 X 12	300-800	28
14 X 14	410-1050	28
16 X 16	530-1250	30
18 X 18	670-1575	30
22 X 22	1000-2050	22
* 10 X 22	500-1000	22

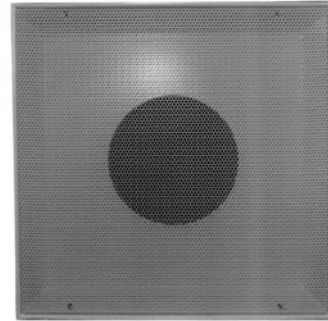


**FINISH:** White

\* for 12" x 24" Lay-In Tee Bar Mounting.

### TUTTLE & BAILEY Model PR-LT - Round Neck, Lay-In Tee Bar Mounting

Neck Size	Panel Size	CFM Range	Price Each	Volume Damper Model RBN
*6	12 x 12	40-150	\$19	\$11
6	24 x 24	40-150	22	11
8	24 x 24	100-270	22	12
10	24 x 24	160-430	24	13
12	24 x 24	235-600	24	13
14	24 x 24	320-850	24	15
16	24 x 24	400-1000	26	N/A

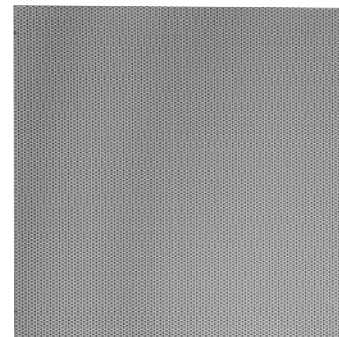


**FINISH:** White

\* Model # PR - 12 x 12 - LT - 06RD

### TUTTLE & BAILEY Model PTL - Panel Only Lay-In Tee Bar Mounting (Non-Ducted).

Panel Size	CFM Range	Price Each
12 x 24	500-1000	\$9
24 x 24	1000-2150	14



**FINISH:** White

L. R. GORRELL COMPANY

PRICES SUBJECT TO CHANGE WITHOUT NOTICE! Minimum Order is \$25.00

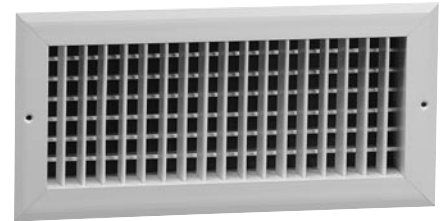
## REGISTERS AND GRILLES - SUPPLY & RETURNS

[CFM Range is only a guide. See Manufacturer Catalog for complete data. All NC Levels in Acceptable Range < 32.]

### TUTTLE & BAILEY Model **A647** - Double Deflection Aluminum Supply Register with Opposed Blade Damper - Vertical Front Blades

Neck Size	CFM Range	Price Each
6 x 6	75-175	<b>\$19</b>
8 x 4	75-175	<b>19</b>
8 x 6	100-235	<b>20</b>
10 x 4	85-195	<b>21</b>
10 x 6	130-310	<b>22</b>
12 x 4	100-235	<b>22</b>
12 x 6	150-350	<b>23</b>
12 x 8	210-480	<b>25</b>
14 x 6	170-390	<b>27</b>
14 x 8	250-580	<b>28</b>
16 x 6	210-480	<b>28</b>
16 x 8	300-700	<b>31</b>
16 x 10	330-760	<b>33</b>
18 x 6	230-530	<b>30</b>
18 x 8	300-700	<b>33</b>
18 x 10	410-950	<b>37</b>
18 x 12	470-1090	<b>40</b>

Neck Size	CFM Range	Price Each
20 x 6	250-580	<b>\$33</b>
20 x 8	330-760	<b>36</b>
20 x 10	410-950	<b>39</b>
20 x 12	500-1100	<b>43</b>
24 x 6	300-700	<b>38</b>
24 x 8	410-950	<b>41</b>
24 x 10	500-1100	<b>45</b>
24 x 12	600-1400	<b>46</b>
30 x 6	375-820	<b>47</b>
30 x 8	470-950	<b>52</b>
30 x 10	600-1400	<b>57</b>
30 x 12	680-1580	<b>65</b>
36 x 6	470-1090	<b>57</b>
36 x 8	600-1400	<b>65</b>
36 x 10	680-1580	<b>71</b>
36 x 12	900-2100	<b>78</b>
36 x 18	1400-2800	<b>109</b>



**FINISH:** White

### TUTTLE & BAILEY Model **A70D** - Aluminum Return/Exhaust Grille - Horizontal Blades

Neck Size	CFM Range	Price Each
6 x 6	50-150	<b>\$10</b>
8 x 8	90-260	<b>12</b>
10 x 6	80-240	<b>10</b>
10 x 8	110-330	<b>13</b>
10 x 10	140-400	<b>14</b>
12 x 6	90-260	<b>14</b>
12 x 8	140-400	<b>14</b>
12 x 12	200-600	<b>14</b>
14 x 6	110-330	<b>14</b>
14 x 8	160-480	<b>15</b>
14 x 14	270-820	<b>17</b>
16 x 8	190-570	<b>15</b>
16 x 10	200-600	<b>15</b>
16 x 16	360-1000	<b>20</b>
18 x 12	300-900	<b>15</b>
18 x 18	450-1000	<b>25</b>
20 x 8	200-600	<b>15</b>

Neck Size	CFM Range	Price Each
20 x 12	310-930	<b>\$21</b>
20 x 16	450-1000	<b>26</b>
20 x 20	500-1500	<b>32</b>
24 x 8	270-820	<b>21</b>
24 x 12	400-1000	<b>21</b>
24 x 18	600-1500	<b>28</b>
24 x 24	800-1800	<b>38</b>
30 x 8	360-900	<b>25</b>
30 x 12	450-1200	<b>28</b>
30 x 18	800-1800	<b>39</b>
30 x 24	1000-2200	<b>55</b>
36 x 12	600-1500	<b>35</b>
36 x 18	900-2000	<b>59</b>
36 x 24	1200-2400	<b>60</b>
36 x 36	1800-3600	<b>119</b>
*22 x 10	350-1100	<b>23</b>
*22 x 22	700-2000	<b>36</b>



**FINISH:** White

\* T-Bar Lay-In Mounting, Steel Construction

**For Opposed Blade Damper See Model A7 on Page 9**

## ALUMINUM EGGCRATE RETURN/EXHAUST GRILLES

[CFM Range is only a guide. See Manufacturer's Catalog for complete data. All NC Levels in acceptable range < 32.]

### TUTTLE & BAILEY Model CRE500 - Eggcrate Surface Mounting Grille

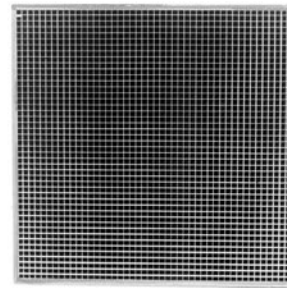
Neck Size	CFM Range	Price Each	Volume Damper Model A7
6 X 6	50-200	\$9	\$9
8 X 8	130-350	11	12
10 X 10	200-550	12	15
12 X 12	300-800	14	17
14 X 14	400-1000	19	21
16 X 16	500-1200	21	25
18 X 18	675-1800	28	33



**FINISH:** White

### TUTTLE & BAILEY Model CRE500 LT- Eggcrate T-Bar Lay-In Grille

Neck Size	CFM Range	Price Each
22 x 10	600-1600	\$21
22 x 22	1200-2400	36

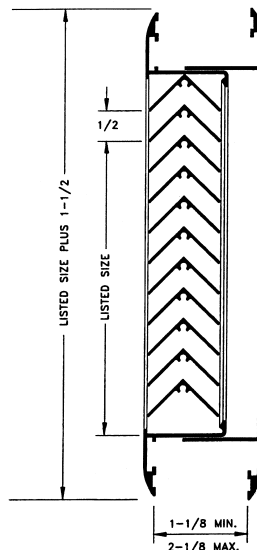


**FINISH:** White

## DOOR GRILLES

### TUTTLE & BAILEY Model A990VF - Aluminum Door Grilles, Sight Proof With Telescoping Frame

Listed Size	CFM @ 300 FPM	Price Each
12 x 12	161	\$35
20 x 20	500	59
24 x 12	330	45



**FINISH:** Satin Anodize

L. R. GORRELL COMPANY

PRICES SUBJECT TO CHANGE WITHOUT NOTICE! Minimum Order is \$25.00

## FILTER GRILLES

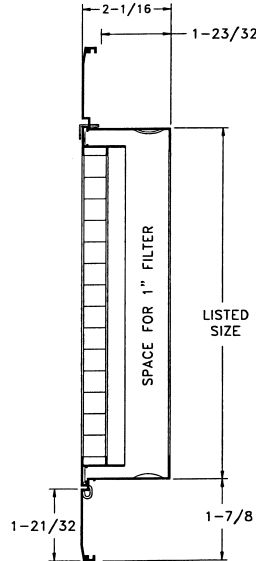
### TUTTLE & BAILEY Model CRE500FBLT - Aluminum Eggcrate Filter Grille, T-Bar Lay-In

Neck Size	CFM Range	Price Each
*20x20	800 -1500	\$61

\*Filter Not Included

**Notes:**

- 1/2 x 1/2 x 1/2 eggcrate face
- Flush, hinged face
- Equipped w/ filter retainers
- Accepts 1" x 20" x 20" nominal filter (by others)
- Fits T-bar lay-in



**FINISH:** White

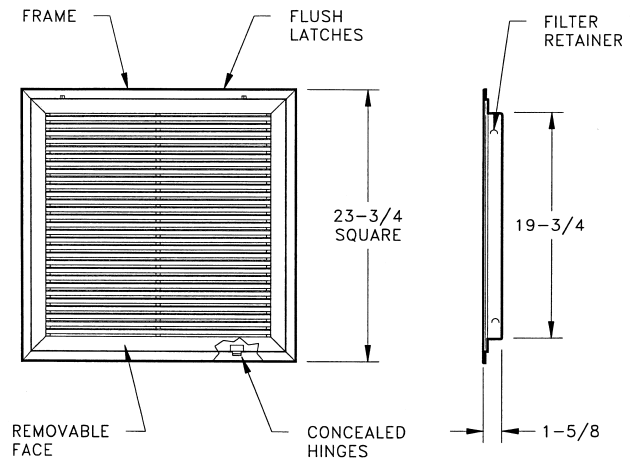
### TUTTLE & BAILEY Model T70DFBLT - Steel, Fixed Bar, Filter Grille, T-Bar Lay-In

Neck Size	CFM Range	Price Each
*20x20	600 -1500	\$52

\*Filter Not Included

**Notes:**

- All steel construction
- Flush, removable face with concealed latches and hinges
- Face can be installed in any direction
- 3/4" spaced bars at 35 degrees
- Fits (standard 15/16) 2' x 2' T-bar ceiling systems
- Equipped with filter retainers
- Accepts 1" x 20" x 20" nominal filter (by others)
- It is recommended that grilles installed in grid ceiling systems be supported independent of the ceiling hardware



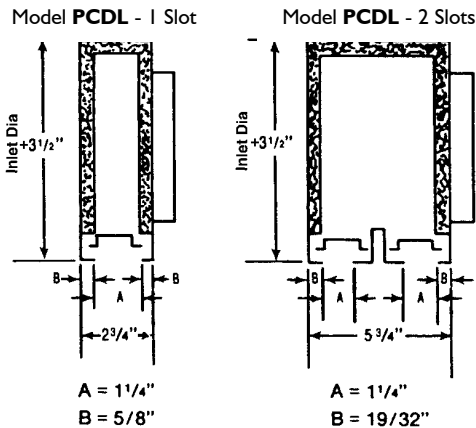
**FINISH:** White

## PLENUM SLOT DIFFUSERS

[CFM Range is only a guide. See Manufacturer Catalog for complete data. All NC Levels in Acceptable Range <32.]

### TUTTLE & BAILEY Model PSD - Steel Adjustable Plenum Slot Diffuser Lay-In Tee Bar Mounting Insulated Plenum

Nominal Length	Inlet Size	# of Slots	"A" Slot Width	CFM Range	Price Each
24	6	1	1 1/2	50-125	\$35
24	8	2	1 1/2	100-250	45
48	8	1	1 1/2	100-250	44
48	10	2	1 1/2	200-500	58



**FINISH: Black**

### DONCO Model 2000FR - Fire Rated Plenum Slot Diffusers



Donco 2000FR Diffusers are UL classified fire rated plenum slot diffusers. This design is for use in 3 hour fire rated exposed grid suspended ceilings and meets UL time vs. temperature test criteria and NFPA 90A requirements. This product is listed in Underwriters Laboratories "Fire Resistant Directory".

The 2000FR design is qualified by UL for use with either hard or flex duct as well as ductless applications. Diffusers must be installed in accordance with installation instructions for UL Classification.

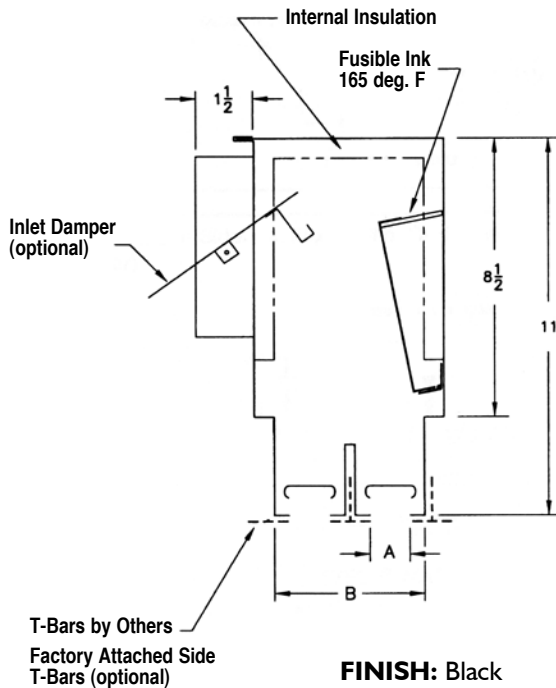
Length	Inlet Size	# of Slots	"A" Slot Width	"B" Overall Width	CFM Range	Price Each
24	8	2	1 1/2	5 3/4	75-250	\$59
48	10	2	1 1/2	5 3/4	150-500	76

**Features**

- Sliding air bars provide left, right or vertical throw.
- Diffusers over 36" length have two air bars per slot to allow split air patterns.
- Length: 47-3/4 standard. Available in nominal lengths of 24, 36, 48, & 60 inch. Normal tee bar application is nominal length less 1/4".
- Material: 24 gauge galvanized steel with 1/2" internal insulation. All exposed surfaces painted black.
- For air performance data see standard 2000 series submittal sheet.

**Restrictions**

- Available only for standard 15/16 ceiling grids.
- For surface mount frame application, contact factory.
- Available only with internal insulation.



L. R. GORRELL COMPANY

PRICES SUBJECT TO CHANGE WITHOUT NOTICE! Minimum Order is \$25.00



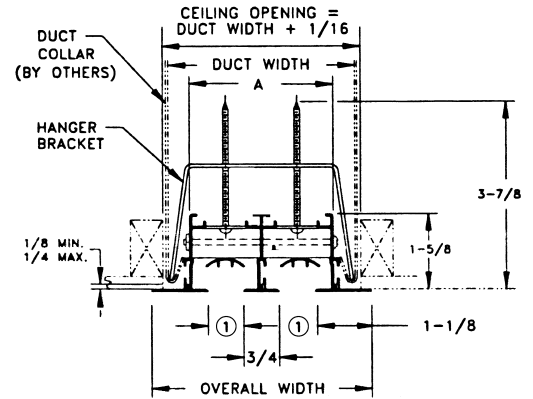
## LINEAR SLOT DIFFUSERS & BAR GRILLES

[CFM Range is only a guide. See Manufacturer Catalog for complete data. All NC Levels in Acceptable Range <32.]

### TUTTLE & BAILEY Model 6200/7200 Series ECP - Aluminum Adjustable Slot Diffuser Surface or Tee Bar Mounting

Model	Nominal Length	Neck Size	# of Slots	Slot Width	CFM Range	Price Each
6202-EO	24	22 x 3	2	3/4"	75-150	\$34
6202-EO	48	46 x 3	2	3/4"	150-300	68

Model	Nominal Length	Neck Size	# of Slots	Slot Width	CFM Range	Price Each
7202-EO	24	22 x 3 1/2	2	1"	75-200	\$35
7202-EO	48	46 x 3 1/2	2	1"	150-400	69



① Slot Width: 6200 = 3/4"; 7200 = 1"

**FINISH:** White

### TUTTLE & BAILEY Model DPI - Plenum Box

Model	Slot Width	Opening	Neck Size	Price Each
DPI-23x8	3/4"	22 1/8 - 3 7/8	8	\$34
DPI-47x10	3/4"	46 1/8 - 3 7/8	10	56

\*\*Model DPI Insulated Plenum - to be field installed

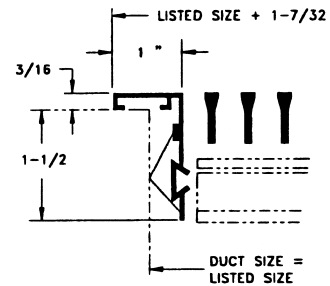
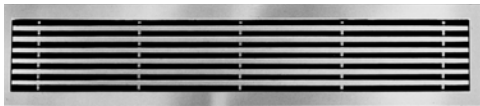
Model	Slot Width	Opening	Neck Size	Price Each
DPI-23x8	1"	22 1/8 - 4 3/8	8	\$35
DPI-47x10	1"	46 1/8 - 4 3/8	10	57

**Notes:**

- Unit with end caps lays in T-bar grid
- Optional DPI Plenum is insulated w/hemmed rail
- Hem duct brackets included

### TUTTLE & BAILEY Model 4100EO - Aluminum Bar Grille for Supply/Return Sidewall, Floor, Sill or Ceiling Mounting - (Sanded, Etched and Lacquer)

Neck Size	CFM Range	Price Each	Model A7 Volume Damper
10 x 4	50-175	\$22	\$13
12 x 4	75-200	23	13
12 x 6	125-300	26	15



**TYPE E MARGIN**

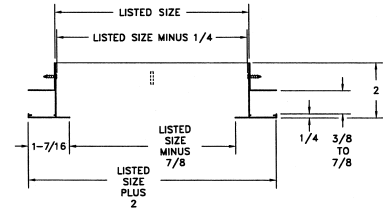
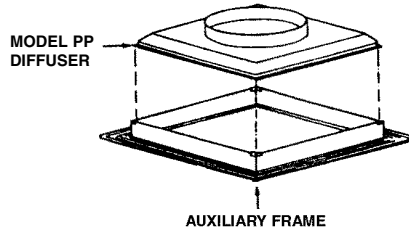
**FINISH:** Satin Anodize



## AIR DISTRIBUTION ACCESSORIES

**TUTTLE & BAILEY** Model **TRM** - Auxiliary Frame allows any Lay-In Tee Bar Type Diffuser to be Surface Mounted.

Panel Size	Price Each
12 x 12	\$15
12 x 24	16
24 x 24	19

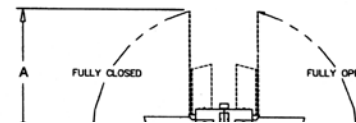
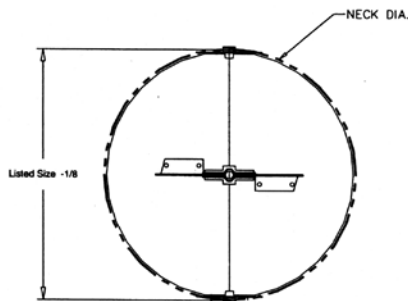


**Notes:**

- For use with ceiling thickness 3/8" to 7/8"
- Trims out ceiling opening and allows lay-in of grille or diffuser
- Can be used for ceiling access
- White enamel finish

**TUTTLE & BAILEY** Model **RBN** - Steel Round Butterfly Damper for PP-LT, PV-LT, PR-LT, & I300 Type Diffusers

Neck Size	Price Each
6	\$12
8	13
10	13
12	14
14	16



Listed Size	6	8	10	12	14
A	2 3/4	3 3/4	4 3/4	5 3/4	6 3/4

**TUTTLE & BAILEY** Model **SMOBD** - Steel Opposed Blade Damper for Type M-4SQ-LT and M-4SQ-SB Diffusers.

Neck Size	Price Each
6 x 6	\$9
9 x 9	13
12 x 12	17
15 x 15	23
18 x 18	29



**TUTTLE & BAILEY** Model **A7** - Aluminum Volume Damper for Type A70D and CRE500 Grilles

Neck Size	Price Each
6 x 6	\$9
8 x 8	12
10 x 10	15
12 x 12	17
14 x 14	21

Neck Size	Price Each
16 x 16	\$25
18 x 18	33
24 x 12	24
24 x 18	37
24 x 24	46



L. R. GORRELL COMPANY

PRICES SUBJECT TO CHANGE WITHOUT NOTICE! Minimum Order is \$25.00