

CEILING RADIATION DAMPERS

PREFCO Ceiling Radiation Dampers

Model - 5600 EF Round

Model **5680 and 5673** - Square & Rectangular

Model	Size W x H	Price Each
5600 EF	6*	\$29
	8*	32
	10*	37
	12*	39
5601 EF	14	52
	16	62
5680	6 x 6	\$22
	8 x 8	23
	9 x 9	24
	10 x 10	25
	10 x 22	39
	12 x 12	29
	12 x 24	41
	15 x 15	40
	16 x 16	41
	18 x 18	46
	20 x 20	47
	22x 22	48
	24 x 24	50
5673	10 x 4	\$28
	10 x 6	29
	12 x 4	29
	12 x 6	30

Notes:

- * 2 HR Rating - NOT for wood structure.
- 1. Install per UL installation instructions.
- 2. Most diffuser installations require a Thermal Blanket.

Thermal Blankets

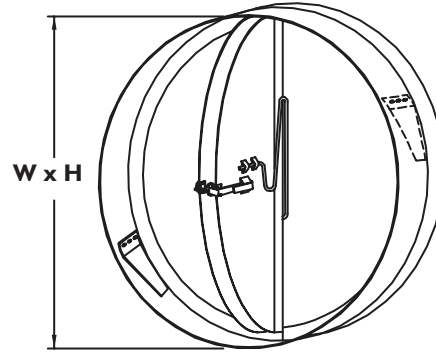
Size (w x h)	Price
30 x 30*	\$13

*For 24" x 24" Lay-in Diffuser

Model **5600 EF** - Round Radiation Dampers

Note:

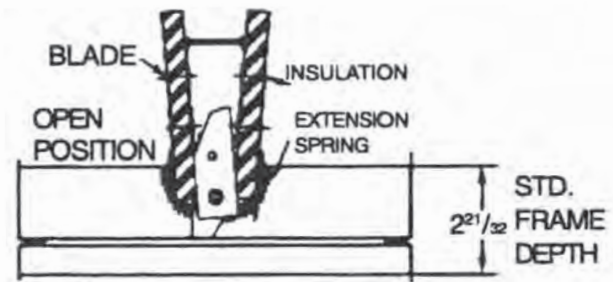
Model 5600 EF Round Dampers are actual size



Model **5680 and 5673** - Square and Rectangular Radiation Dampers

Note:

Model 5680 Square and Rectangular Dampers are ordered 1/4" under size



FIRE DAMPERS

THE PREFCO ADVANTAGE

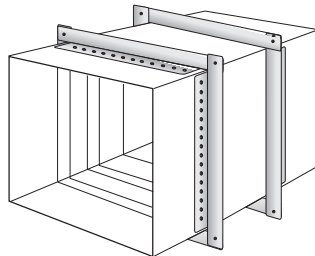
- All models approved for horizontal and vertical mounting.
- All models are UL listed for single flange angle ring mounting – saves material and labor.
- Model 5500 E-6 LPB's provide "B Style Damper" Low pressure drop without oversizing sleeves or wall opening.
- Model 5500 E-6 LPB is approved for static and dynamic systems.



Don't see your size listed above? 1, 3, & 5-day quick ship available. Call for details

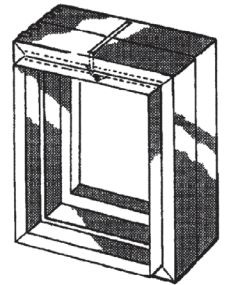
PREFCO Model 5500 HA-S

- Integral sleeve style.
14" Long, 20ga. sleeve.
- Type A.
- Integral Sleeved damper may be mounted with a single angle ring.
- Damper Size = Duct Size



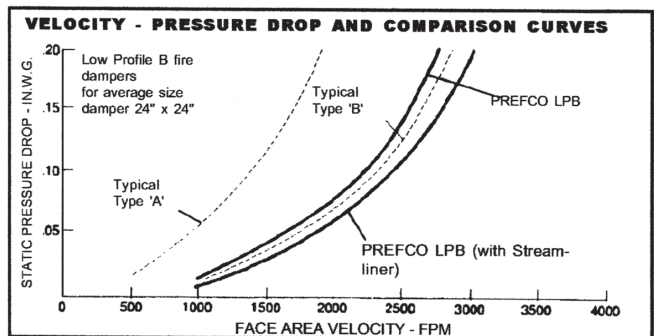
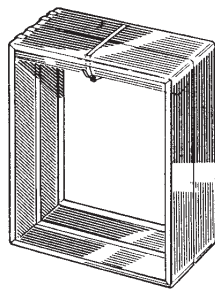
PREFCO Model 5500 E-8 M

- **Integral Sleeve Style**
for up to 8" thick wall.
- Low Pressure Drop "C" style performance.
- Integral Sleeved Damper may be mounted with single angle ring.
- Damper Size = Duct Size (WxH)+2



PREFCO Model 5500 E-6 LPB

- **No sleeve.**
- Low-Pressure Drop "B" style Performance and "A" Style Mounting Simplicity.
- Requires field fabricated sleeve.
- Damper mounts within duct dimension.



See our website for complete mounting instructions.
See page 30 for round fire dampers.

FIRE DAMPERS

Duct Size	No Sleeve Type A/B E-6 LPB	Integral Sleeve Type C E-8M	Integral Sleeve Type A HA-S	Retaining Angle**
W x H	Price Each	Price Each	Price Each	Price Each
6 x 6	\$* 17	\$24	\$31	\$7
8 x 6	* 17	24	31	7
8 x 8	17	28	35	7
10 x 6	* 19	26	31	8
10 x 8	17	28	35	8
10 x 10	19	28/	37	9
12 x 6	* 19	28	31	9
12 x 8	17	28	35	9
12 x 10	19	30	37	9
12 x 12	21	31	43	9
14 x 6	* 21	29	37	9
14 x 8	19	31	43	9
14 x 10	21	39	51	9
14 x 12	21	39	51	9
14 x 14	23	47	61	10
16 x 8	21	39	51	10
16 x 10	21	41	59	10
16 x 12	21	41	59	10
16 x 14	25	41	59	10
16 x 16	25	51	67	12
18 x 8	25	51	N/A	12
18 x 10	25	51	N/A	12
18 x 12	27	51	67	12
18 x 14	27	51	71	12
18 x 16	29	55	71	12
18 x 18	31	65	89	14
20 x 8	25	55	69	14
20 x 10	25	55	69	14
20 x 12	25	55	69	14
20 x 14	27	55	69	14
20 x 16	29	55	69	14
20 x 18	31	65	89	14
20 x 20	31	65	89	15
24 x 12	31	59	77	15
24 x 14	31	59	77	15
24 x 16	33	59	77	15
24 x 18	33	65	89	15
24 x 24	39	65	89	17
30 x 16	43	75	99	17
30 x 20	47	75	99	17

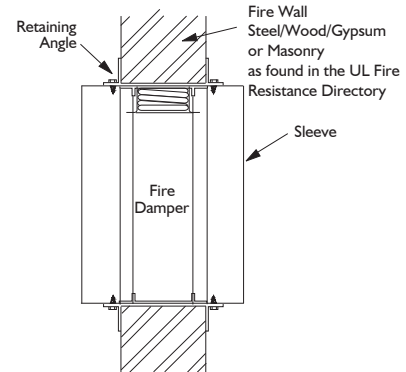
* Dampers 6" and less are Model 5650 single blade.

** Price for one mounting angle flange.

Retaining Angles require trim to fit for rectangular sizes.

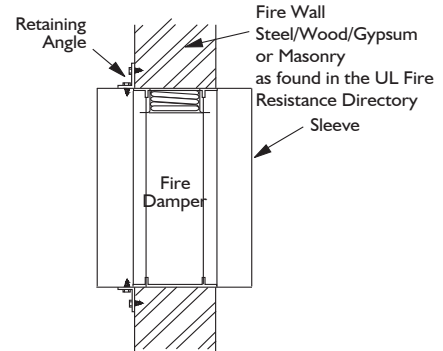
TWO ANGLE MOUNTING

Model HA-S



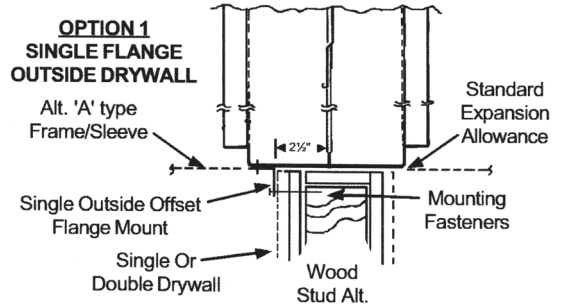
ONE ANGLE MOUNTING

Model HA-S



SINGLE FLANGE MOUNTING OPTION

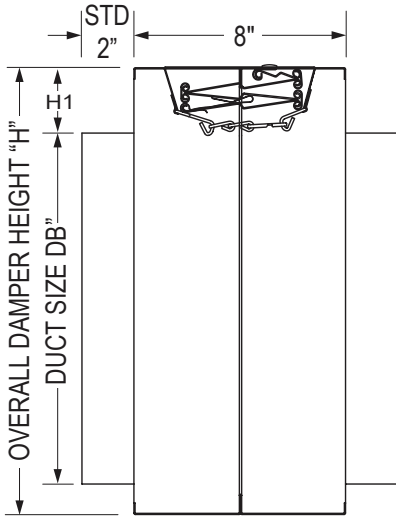
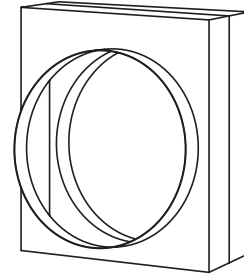
Model E-8M



FIRE DAMPERS

PREFCO Model 5500E8 - CR - Integral Sleeved Round

- Low pressure, round inlet/outlet
- Vertical or horizontal application
- Install without additional sleeve per installation instruction sheet no. 5500-11-FS2
- Optional retaining angle kits and/or damper flats



Round Size "DB"	Height "H"	Width "W"	Fire Damper Price Each	Damper Flats Price Each Set	Retaining Angle Price Each*
6	8-1/2	8	\$38	\$15	\$8
8	10-1/2	10	44	17	9
10	12-1/2	12	48	17	9
12	14-1/2	14	54	17	10
14	16-1/2	16	60	19	12
16	18-1/2	18	64	19	14
18	20-1/2	20	68	21	15

* Price for one angle mounting flange.

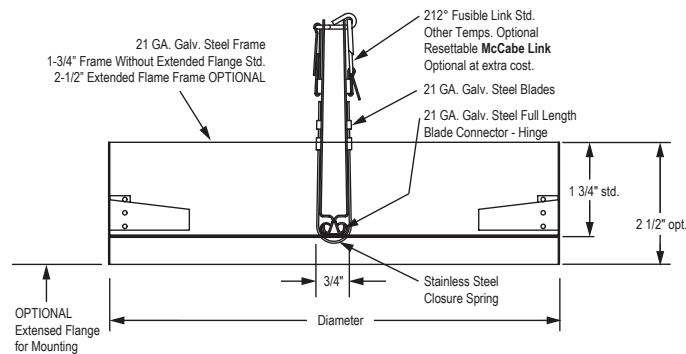
Notes:

- 1) "DB" undersized 1/8"
- 2) "H" and "W" undersized 1/4"
- 3) Damper flats are sold as a set.
- 4) Flats and retaining angles can be sold as a mix match set.

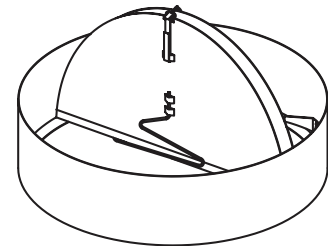
Damper Mount Notes:

- 1) See page 29 for single flange mounting option

PREFCO Model 5600F - Round Fire Damper



Size	Price Each
6	\$26
8	26
10	30
12	34
14	41
16	41



ADDITIONAL LINKS (Price Each)	
165°	\$5
212°	5



Don't see your size listed above? 1, 3, & 5-day quick ship available. Call for details.

L. R. GORRELL COMPANY

PRICES SUBJECT TO CHANGE WITHOUT NOTICE! Minimum Order is \$35.00