

# FIRE DAMPERS

## THE PREFCO ADVANTAGE

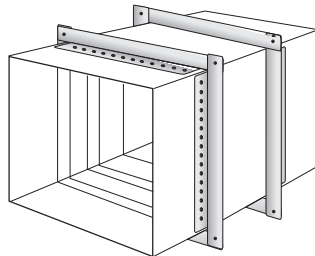
- All models approved for horizontal and vertical mounting.
- All models are UL listed for single flange angle ring mounting – saves material and labor.
- Model 5500 E-6 LPB's provide "B Style Damper" Low pressure drop without oversizing sleeves or wall opening.
- Model 5500 E-6 LPB is approved for static and dynamic systems.



Don't see your size listed above? 1, 3, & 5-day quick ship available. Call for details

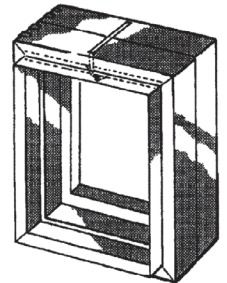
### PREFCO Model 5500 HA-S

- Integral sleeve style.  
14" Long, 20ga. sleeve.
- Type A.
- Integral Sleeved damper may be mounted with a single angle ring.
- Damper Size = Duct Size



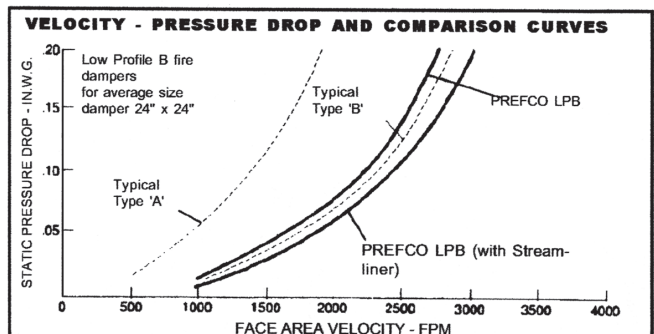
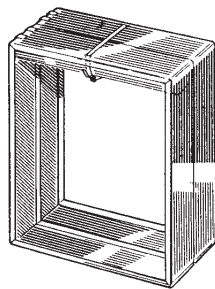
### PREFCO Model 5500 E-8 M

- **Integral Sleeve Style**  
for up to 8" thick wall.
- Low Pressure Drop "C" style performance.
- Integral Sleeved Damper may be mounted with single angle ring.
- Damper Size = Duct Size (WxH)+2



### PREFCO Model 5500 E-6 LPB

- **No sleeve.**
- Low-Pressure Drop "B" style Performance and "A" Style Mounting Simplicity.
- Requires field fabricated sleeve.
- Damper mounts within duct dimension.



See our website for complete mounting instructions.  
See page 30 for round fire dampers.

# FIRE DAMPERS

Duct Size	No Sleeve Type A/B E-6 LPB	Integral Sleeve Type C E-8M	Integral Sleeve Type A HA-S	Retaining Angle**
W x H	Price Each	Price Each	Price Each	Price Each
6 x 6	\$* 17	\$24	\$31	\$7
8 x 6	* 17	24	31	7
8 x 8	17	28	35	7
10 x 6	* 19	26	31	8
10 x 8	17	28	35	8
10 x 10	19	28/	37	9
12 x 6	* 19	28	31	9
12 x 8	17	28	35	9
12 x 10	19	30	37	9
12 x 12	21	31	43	9
14 x 6	* 21	29	37	9
14 x 8	19	31	43	9
14 x 10	21	39	51	9
14 x 12	21	39	51	9
14 x 14	23	47	61	10
16 x 8	21	39	51	10
16 x 10	21	41	59	10
16 x 12	21	41	59	10
16 x 14	25	41	59	10
16 x 16	25	51	67	12
18 x 8	25	51	N/A	12
18 x 10	25	51	N/A	12
18 x 12	27	51	67	12
18 x 14	27	51	71	12
18 x 16	29	55	71	12
18 x 18	31	65	89	14
20 x 8	25	55	69	14
20 x 10	25	55	69	14
20 x 12	25	55	69	14
20 x 14	27	55	69	14
20 x 16	29	55	69	14
20 x 18	31	65	89	14
20 x 20	31	65	89	15
24 x 12	31	59	77	15
24 x 14	31	59	77	15
24 x 16	33	59	77	15
24 x 18	33	65	89	15
24 x 24	39	65	89	17
30 x 16	43	75	99	17
30 x 20	47	75	99	17

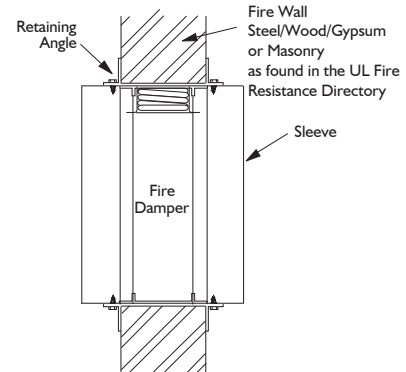
\* Dampers 6" and less are Model 5650 single blade.

\*\* Price for one mounting angle flange.

Retaining Angles require trim to fit for rectangular sizes.

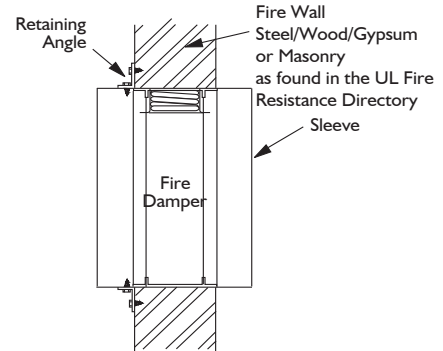
## TWO ANGLE MOUNTING

### Model HA-S



## ONE ANGLE MOUNTING

### Model HA-S



## SINGLE FLANGE MOUNTING OPTION

### Model E-8M

