

CEILING AND CABINET FANS

American Coolair Model CFL - ceiling and inline exhaust fans share the following features:

- AMCA Air and Sound ratings
- UL Listed
- Polymeric inlet grille sizes CF 670 through CFL 30
- Metal inlet grille sizes CFL 140 through CFL 150
- 120 VAC motors, thermally protected, plug style disconnect
- Motor Speed Control optional. See page 22
- Inline Adapters optional. See page 21

Ceiling Fan Performance/Pricing

Model Size	CFM @ Static Pressure							WATTS	Max. Sones	Weight	List Price
	0.00	0.125	0.250	0.375	0.500	0.750	1.00				
CF 670	52	49	42	29	-	-	-	48	5.5	5	\$44
CF 684	89	87	77	59	-	-	-	48	3.9	8	78
CFL 10	136	109	93	80	65	12	-	87	3.2	23	131
CFL 15	181	157	141	132	124	94	-	100	4.2	24	136
CFL 20	231	210	196	186	177	144	51	127	5.3	23	172
CFL 25	272	259	250	242	233	201	99	166	5.8	24	177
CFL 30	312	308	303	296	287	254	125	212	5.6	24	180
CFL 40	480	434	388	344	299	182	33	146	5.6	34	272
CFL 50	538	514	491	463	434	339	186	232	6.7	34	292
CFL 70	722	701	667	640	607	534	333	313	7.2	34	319
CFL 90	918	901	877	842	793	636	390	306	5.3	65	400
CFL 150	1578	1513	1438	1371	1285	1103	816	468	8.6	65	452

Note: Data above for fans installed horizontally (ceiling mount)

Inline Fan Performance

Model Size	CFM @ Static Pressure							WATTS	Max. Sones	Weight
	0.00	0.125	0.250	0.375	0.500	0.750	1.00			
CFL 10	121	106	97	93	86	44	-	87	2.6	23
CFL 15	153	147	140	134	125	91	18	100	2.6	23
CFL 20	205	195	190	185	175	135	47	127	3.4	24
CFL 25	248	245	241	235	224	183	84	166	3.8	23
CFL 30	300	293	285	274	259	214	113	212	3.9	24
CFL 40	450	406	360	313	271	167	6	146	3.9	34
CFL 50	546	519	496	472	447	364	232	232	4.3	34
CFL 70	704	681	656	631	604	533	412	313	5.0	34
CFL 90	930	894	853	807	754	587	300	306	4.1	65
CFL 150	1275	1214	1152	1092	1029	871	631	468	6.1	65

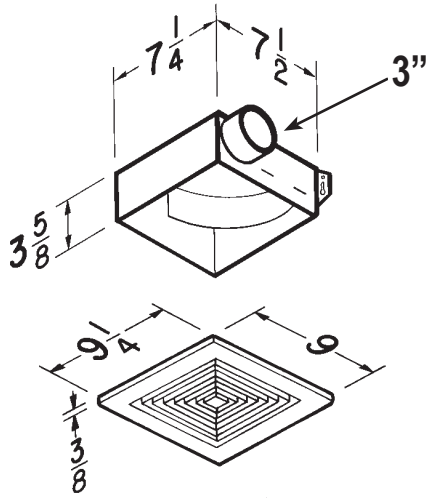
Note: Data above for fans installed with inline adapter shown on page 21 for straight through air flow. Adapter may be installed for right angle air flow at reduced performance. Adaptor field installed.

L. R. GORRELL COMPANY

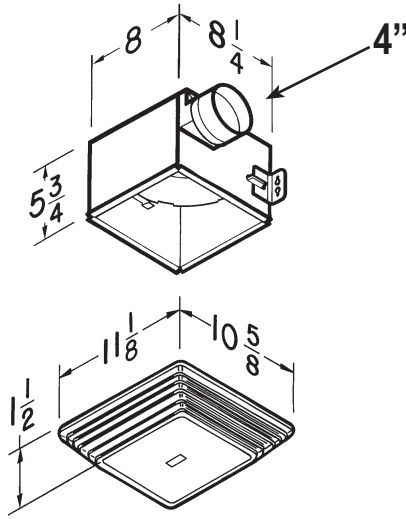
PRICES SUBJECT TO CHANGE WITHOUT NOTICE! Minimum Order is \$35.00

CEILING FANS

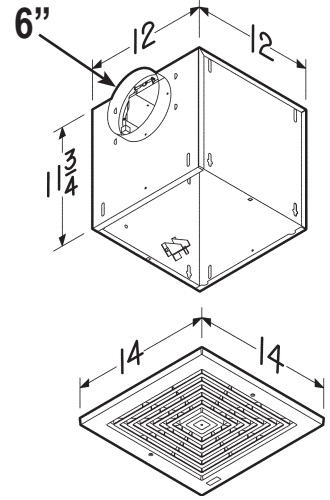
MODEL CF670



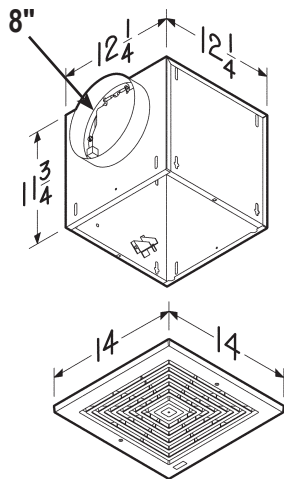
MODEL CF684



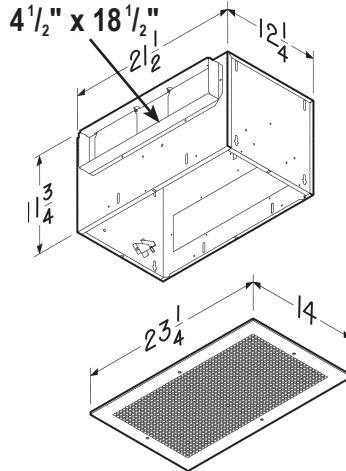
**MODEL CFL10
MODEL CFL15**



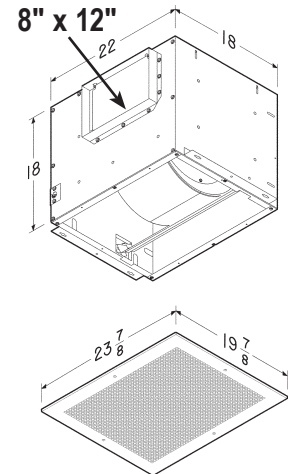
**MODEL CFL20
MODEL CFL25
MODEL CFL30**



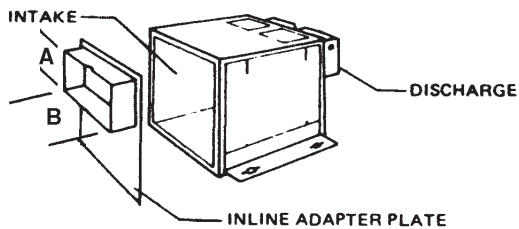
**MODEL CFL40
MODEL CFL50
MODEL CFL70**



**MODEL CFL90
MODEL CFL150**



INLINE ADAPTERS



- FOR FIELD CONVERSION TO INLINE DUCT FAN APPLICATIONS
- REMOVABLE BLOWER ASSEMBLY

Model	CFL Fan Sizes	A	B	Price Each
CF961L	10-15	6	Round	\$20
CF981L	20-30	8	Round	20
CF982L	40-70	4 1/2	18 1/2	29
CF983L	90-150	8	12	31

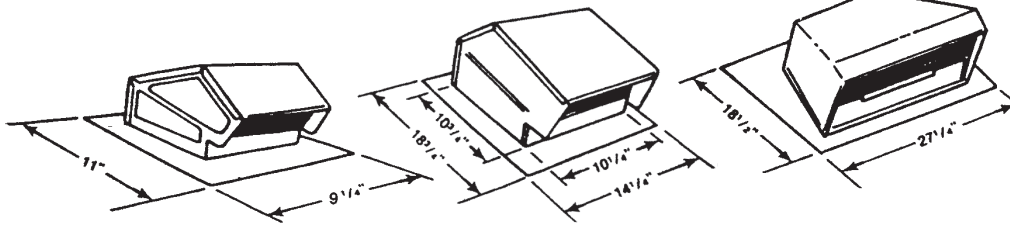
CEILING AND CABINET FAN ACCESSORIES

ROOF JACKS

Model **636**
Fan Sizes CF684 & 670

Model **CFRC634P**
Fan Sizes CFL100 - 300

Model **CFRC437**
Fan Size CFL400 - 900



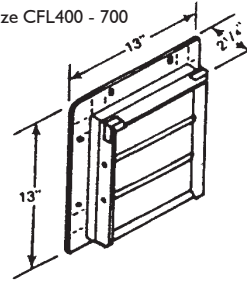
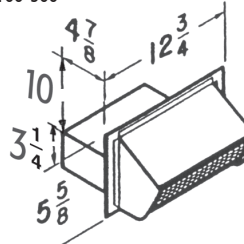
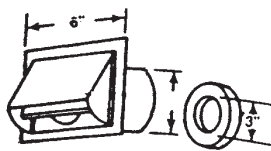
Model	Capacity CFM	Price Each
636	70	\$20
C634P	300	38
CFRC437	1200	120

WALL CAPS

Model **642**
Fan Sizes CF684 & 670

Model **639P**
Fan Sizes CFL100-300

Model **CFWC441**
Fan Size CFL400 - 700

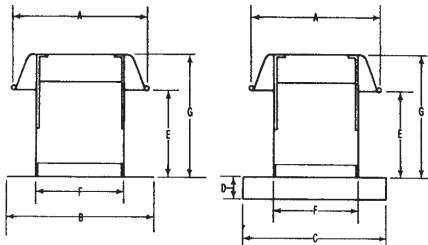


Model	Price Each
642	\$18
639P	26
CFWC441	73
8" ø boot for 639P	9

ROOF CAPS

Model **CF611F & CF612F**
Roof Cap - Flat

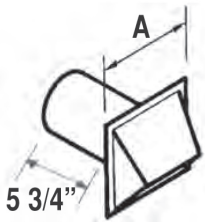
Model **CF611CM & CF612CM**
Roof Cap - Curb



Model	A	B	C	D	E	F	G	CPC-3 Curb Size	Price Each
CF611F	11	15			7 1/2	7 5/8	10	-	\$49
CF612F	18 5/8	20			11 1/8	12 1/8	15 5/8	-	79
CF611CM	11 1/4		15 3/8	1 3/4	7 1/2	7 5/8	11 3/4	14 x 14	50
CF612CM	18 5/8		17 3/8	1 3/4	11 1/8	12 1/8	17 1/2	16 x 16	89

Note: 611 has 0.2" SP Drop @ 200 CFM
612 has 0.2" SP Drop @ 700 CFM

DRYER VENTS



- RECOMMENDED FOR ANY COMMERCIAL APPLICATION
- MADE OF 26-22 GA GALV. SATIN COATED METAL
- BUILT IN LIGHT WEIGHT ALUMINUM DAMPPER
- WALL MOUNT APPLICATION
- PAINTED BLACK FOR IDEAL COLOUR COORDINATION

Model	Size ø	A	Price Each
DVS-6E	6	8.75"	\$26
DVS-8E	8	10.75"	36
DVS-10E	10	12.75"	42
DVS-12E	12	14.75"	58

SPEED CONTROLLERS



Model **SC**

Solid State Variable Speed Switch
For All Models

Model	Use With Sizes	Price Each
SC72W	ALL FAN SIZES	\$31

L. R. GORRELL COMPANY

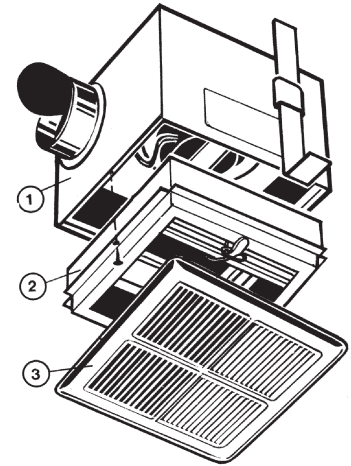
PRICES SUBJECT TO CHANGE WITHOUT NOTICE! Minimum Order is \$35.00

FIRE RATED CEILING FANS

REVERSOMATIC Model **EB** and **QB** - Fire Fighter Ceiling Fans with Integral Fire Radiation Damper and Grille, ceiling fan w/grille only.

- 115/1 Phase Thermally Protected Motors
- Plug Style Disconnect
- Fire Fighter Models UL Listed 3-4 hours
- Low Profile Design

1. Reversomatic Exhaust Fan
2. Firefighter Radiation Damper. Fits inside Fan Housing
3. Ceiling Grille, Fits over Firefighter Damper



Model	CFM @ Listed Static Pressure							AMPS	SONES	Opening Size	"B" Dimension	Inlet Size ø
	0.0	0.125	0.20	0.25	0.30	0.40	0.60					
FF-EB-60	65	59	58	57	55	48	36	0.9	2.5	8" x 9"	7"	3
FF-QB-100	115	98	92	82	73	47	-	0.6	2.5	9" x 9"	7 1/2"	4
FF-QB-150	158	149	143	134	126	102	-	0.9	4.3	9" x 9"	7 1/2"	5
FF-QB-200	201	182	174	166	158	172	145	1.4	5.3	9" x 9"	7 1/2"	5

Note:

1) For Speed Control and Other Accessories See Page 22.

FAN ONLY

Fan Model	Price Each
EB-60	\$39
QB-100	89
QB-150	119
QB-200	149

The typical installation instruction shown below is in our opinion the best method of installation. Our suggested method of installation was derived from a combination of UL guidelines and Reversomatic's engineering department.

FAN WITH FIRE FIGHTER DAMPER

FF Fan Model	Price Add FF Damper
EB-60-FF	\$104
QB-100-FF	158
QB-150-FF	188
QB-200-FF	218

