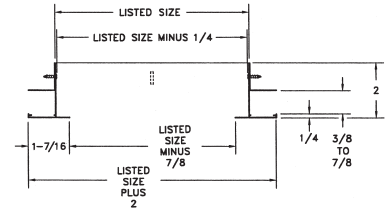
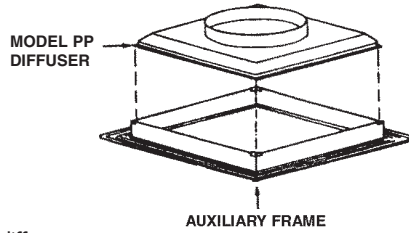


AIR DISTRIBUTION ACCESSORIES

TUTTLE & BAILEY Model **TRM** - Auxiliary Frame allows any Lay-In Tee Bar Type Diffuser to be Surface Mounted.

Panel Size	Price Each
12 x 12	\$19
12 x 24	21
24 x 24	25

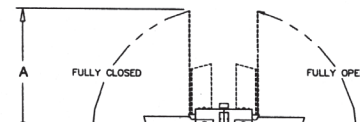
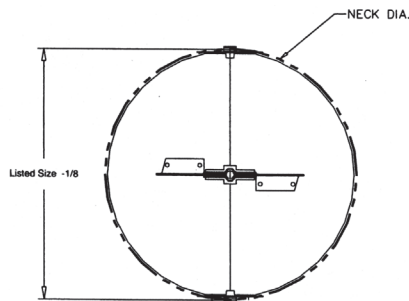


Notes:

- For use with ceiling thickness 3/8" to 7/8"
- Trims out ceiling opening and allows lay-in of grille or diffuser
- Can be used for ceiling access
- White enamel finish

TUTTLE & BAILEY Model **RBN** - Steel Round Butterfly Damper for PP-LT, PV-LT, PR-LT, & I300 Type Diffusers

Neck Size	Price Each
6	\$13
8	15
10	15
12	16
14	17



Listed Size	6	8	10	12	14
A	2 3/4	3 3/4	4 3/4	5 3/4	6 3/4

TUTTLE & BAILEY Model **SMOBD** - Steel Opposed Blade Damper for Type M-4SQ-LT and M-4SQ-SB Diffusers.

Neck Size	Price Each
6 x 6	\$11
9 x 9	15
12 x 12	19
15 x 15	27
18 x 18	31



TUTTLE & BAILEY Model **A7** - Aluminum Volume Damper for Type A70D and CRE500 Grilles

Neck Size	Price Each
6 x 6	\$11
8 x 8	13
10 x 10	19
12 x 12	19
14 x 14	25

Neck Size	Price Each
16 x 16	\$29
18 x 18	35
24 x 12	29
24 x 18	43
24 x 24	55



L. R. GORRELL COMPANY

PRICES SUBJECT TO CHANGE WITHOUT NOTICE! Minimum Order is \$35.00