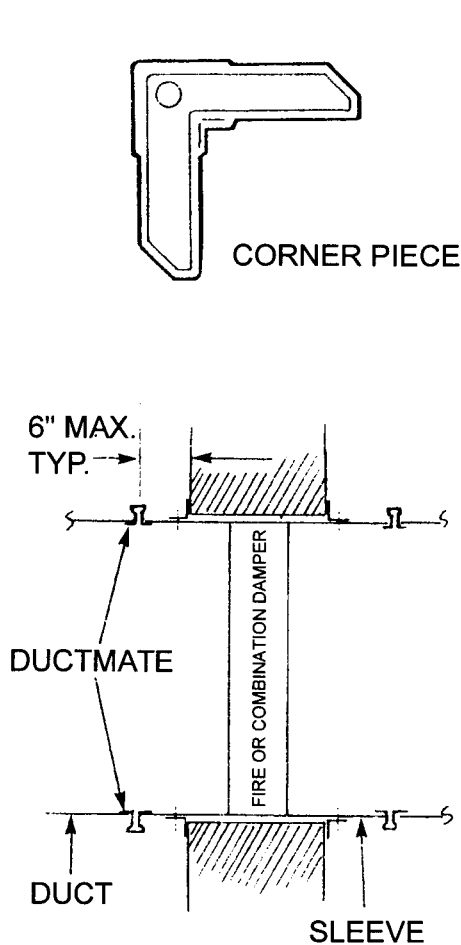




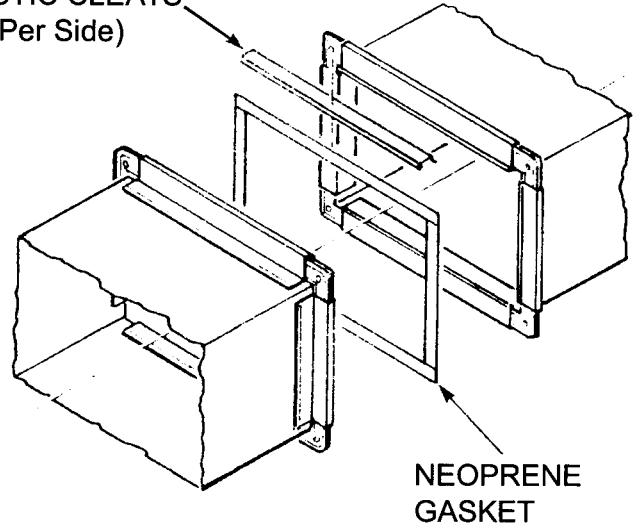
Rated per UL555, UL File R6189

SUPPLEMENTAL INSTALLATION INSTRUCTIONS FOR DUCTMATE TYPE DUCT CONNECTIONS

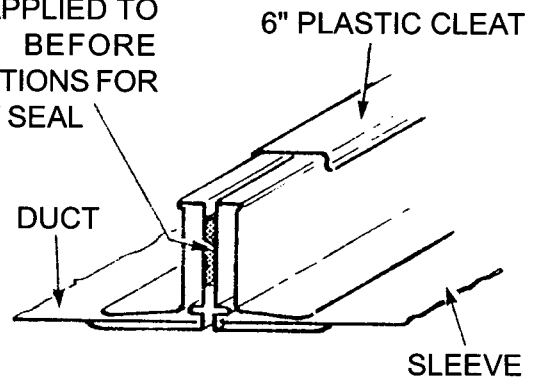
SEE ALSO SMACNA'S FIRE, SMOKE AND RADIATION DAMPER INSTALLATION GUIDE FOR HVAC SYSTEMS FOR OTHER RECOMMENDATIONS NOT DETAILED BELOW.



6" PLASTIC CLEATS (Min. 1 Per Side)



GASKET IS APPLIED TO DUCTMATE BEFORE JOINING SECTIONS FOR PERMANENT SEAL



NOTES:

- This modified 4 bolt type system may be used as a slip connection as required by Note #2.
- As per UL555, for rigid joints the thickness of the sleeve shall be a minimum of .053 inch for uncoated steel and .056 inch for coated steel with dimensions not exceeding 24 inches in height or 36 inches in width, and a minimum of .067 inch for uncoated and .070 for coated steel for larger size dampers. EXCEPTION: This requirement does not apply when one or more UL approved breakaway joints are used as the connection between the sleeve and ducts. In this case, the sleeve thickness shall not be less than that required by the Standard for the Installation of Air-Conditioning and Ventilating Systems, NFPA 90A. For Ductmate Type connections, a modified 4 bolt system may be used.
- Assemble angle & corner pieces per 4 bolt system manufacturer's installation instructions and the diagram above.
 - Insert corner pieces into hollow section of angle pieces.
 - Slip 4-sided assemblies onto the end of the duct and sleeve sections (mechanical fastening of angles to duct sections is permissible).
 - Apply the gasket material to one mating edge of the angles (4 sides).
 - Butt mating edges together, assuring outer edges are aligned, and install 6" long plastic cleats at a maximum of 12" center to center. A minimum of one plastic cleat per side must be used.
- Do not use any fasteners (bolts) in the corner pieces.
- For damper installation, refer to the proper installation instruction sheet

REPRESENTED BY

MANUFACTURED BY
 PERFECT AIR CONTROL, INC.
 1310 N. HERCULES AVE. CLEARWATER, FL 33765
 CUSTOMER SERVICE (800) 437-6653 * ORDER ENTRY FAX (727) 431-6074
www.prefco-hvac.com